

PERI

INSTRUCTIONS

Model: PBBT-H (for Butane Gas)

BLOW TORCH HEAD

IMPORTANT: READ THESE INSTRUCTIONS CAREFULLY TO FAMILIARISE YOURSELF WITH THE APPLIANCE BEFORE CONNECTING IT TO A GAS CARTRIDGE. KEEP THESE INSTRUCTION FOR FUTURE REFERENCE.

APPLIANCE ASSEMBLY

1. Turn control knob to closed "off" position.
 2. Align cartridge collar notch with locator tab on the torch head and keeping the cartridge upright, push down gently and twist the torch about 35° to the right to lock.
- Be sure to check that no gas is leaking. If you can smell leaking gas, take it outside immediately into a well ventilated, flame free location where the leak may be detected and stopped.
 - If you wish to check for leaks on the torch, do it outside.
 - Do not try to detect leaks with a flame. Use soapy water.

IGNITION

3. Turn the control knob slowly in the "on" direction to start the gas flowing. Then press the ignition trigger to ignite the gas.
- If the gas fails to ignite, press the ignition trigger again until it lights.

USE

Caution: accessible parts may become very hot. Keep young children away from the torch.

- The torch is now ready for use. Adjust the flame between the "off" and "on" (low and high heat) position as required.
4. Be aware of flaring which may occur during the two minute warm-up period. During this time, the torch should not be at angles greater than 15° from the vertical (upright) position.
- After running for two minutes, the appliance is preheated and can be used at any angle without flaring. Keeping the control knob to the top reduces flaring.

TO SHUT OFF

- Close gas supply off completely by turning the control knob in the clockwise "off" direction.
- Separate the torch from the gas cartridge after use.

WARNINGS

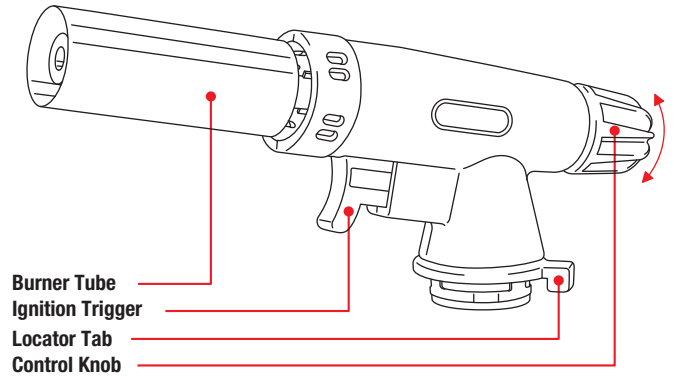
- Do not use this torch if it is leaking, damaged or if it is not operating properly.
- Only use in well ventilated areas.
- Don't use the torch near flammable materials and keep at least one metre away from adjacent surfaces (walls, ceilings etc).
- Always change the gas cartridge in a well ventilated area, preferably outside, away from any sources of ignition, such as naked flames, pilot lights, electric fires and away from other people.

AFTER USE

- Check the torch is clean and dry.
- Store in a cool, well ventilated place after separating the cartridge from the torch and replacing the cap.

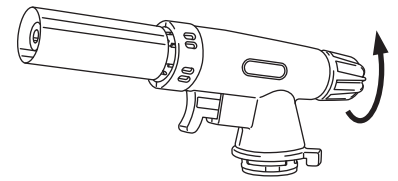
GAS CARTRIDGE CARE

- Check that the torch is extinguished before disconnecting the gas cartridge.
- Check the seals before connecting a new gas cartridge to the torch.
- Change the gas container outside and away from people.
- This torch shall only be used with the peri PBGC gas cartridge which is compliant with EN417.
- Inspect the gas cartridge for damage or rust before use.
- Do not store gas cartridges in areas where the temperature may rise over 40° such as inside the boot of a vehicle parked in the hot sun, near cookers, burners, fat fryers or under direct sunlight.
- Detach the torch from the gas cartridge when not in use and store in cool dry place.
- Do not incinerate the cartridge even when empty.



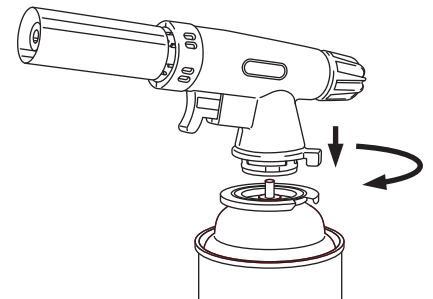
1.

Turn Control knob OFF.



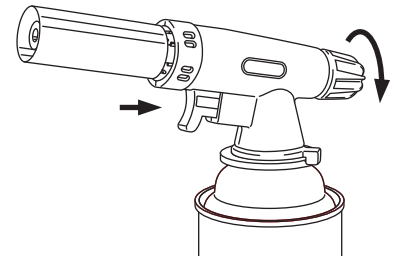
2.

Align Locator tab and push the torch head gently down on the gas cartridge, then rotate the head about 35° clockwise to lock.



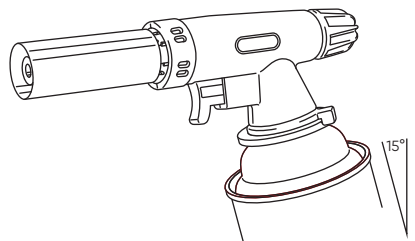
3.

Open the Control knob slowly then press the Ignition button.



4.

To avoid flaring during warmup, keep the torch within about 15° of vertical.



CLEANING AND MAINTENANCE

- Keep clean and free of dust and dirt which may affect performance.
- Clean with damp towel and mild detergent. Do not submerge in fluids or put in dishwasher. Wipe dry after cleaning. Separate torch from gas cartridge before cleaning.
- Please note there are no serviceable parts. Do not modify this torch.

KEEP THESE INSTRUCTIONS